

## GETO Group

### Headquarters:

Greater Bay Area—No. 13 Heqing Road, Tsuihang New District, Zhongshan City, Guangdong Province

### Southern China Production Base I :

Cuishan Lake Science and Technology Park, Kaiping, Jiangmen City ,Guangdong Province

### Southern China Production Base II :

Huizhou Industrial Transfer Industrial Park, Huizhou City, Guangdong Province

### Eastern China Production Base I :

Guangchang Industrial Park, Fuzhou City, Jiangxi Province

### Eastern China Production Base II :

Baizhong Industrial Park, Minqing , Fuzhou City, Fujian Province

### Central China Production Base:

Hi-tech Industry Development Zone, Xianning City, Hubei Province

### Northern China Production Base:

China Aluminium Industrial Park, Linqu, Weifang City, Shandong Province

### Southwest China Production Base:

Modern Manufacturing Industrial Park, Tongnan High-Tech District, Chongqing City

### Northwest China Production Base:

The Circular Economy Park, Anding District, Dingxi City, Gansu Province

### Hainan Production Base:

Gold Medal Port Industrial Park, Lingao County, Hainan Province

### ASEAN Production Base:

Negeri Sembilan, Malaysia

### Singapore Production Base :

West Region, Singapore

## Contact

**Sales Hotline:** 0086-760-88589004

**E-mail:** [geto\\_market@geto.com.cn](mailto:geto_market@geto.com.cn)

**Website:** [www.getoformwork.com](http://www.getoformwork.com)

20240620V3



CHINESE LISTED COMPANY

STOCK CODE: SZ 300986

# QUICK-DECK SYSTEM

## 快速式顶板系统





## Company Brief

### 公司介绍

GETO is mainly engaged in Green Construction and New Energy.

Green construction includes formwork and prefabricated construction, specifically aluminium formwork, climbing system, steel formwork, steel-framed timber formwork, fair-faced concrete building, assembly precast concrete components, PPVC/ MIC precast housing molds and prefabricated steel structure.

The main focus of new energy is investment, construction, and operation of "Photovoltaics, Storage, and Charging" projects.

GETO was listed on the ChiNext board of the A-share market in 2021, and currently has established 12 production bases around the world, registered 31 international trademarks in different countries and regions. Our products and services have sold well worldwide.

志特集团主营绿色建筑和新能源两大板块。

绿色建筑包括模架及装配式建筑，即铝模，爬升式模架，钢模板体系，钢框木模，清水混凝土特色建筑，装配式建筑PC、整屋装配式PPVC/MIC，装配式钢结构。

新能源主营“光、储、充”项目投资、建设、运维。

“志特新材”于2021年在A股创业板挂牌上市，目前已在全球设立12大生产基地，在31个国家和地区注册了“GETO®”国际商标，产品和服务遍及全球。

## CONTENTS

### 目录

#### 01

Product Introduction P-3

产品介绍

#### 02

Advantages P-4

产品优势

#### 03

Special Application P-5-6

特殊应用

#### 04

Main Components P-7-10

主要构件

#### 05

Operational Flow P-11-15

施工流程

#### 06

Other Requirements P-16

其他要求

#### 07

Project Cases P-17-18

工程案例





## Product Introduction

### 产品介绍

GETO Quick-Deck System is catered to construct beam-less and large-area deck structures, such as car porch and podium. Its quick installation and dismantling characteristics are realized by adjusting the height of the adjustable props below its deck formwork. It can realize the fastening installation procedure by manually moving up the adjustable props head to hold up the formwork parts, while dismantling the formwork only requires moving down the adjustable props.

快速式顶板系统适用于建设车库或裙楼等大面积的无梁楼盖结构。此产品的快拆特性通过上下调动系统底部的可调支撑实现，通过人工往上调动支撑头撑起模板部件可实现紧固安装程序，而拆卸模板仅需把可调支撑往下调动。

## Advantages

### 产品优势



#### Fast Construction 快速施工

All components are light enough to assemble & dismantle by labour without heavy cranes. The 1.2m X 1.8m 36.77kg lightweight aluminium deck panels are easy and safe to erect using a minimum of only two workers by swiveling the panel upwards from below and locking it into our quick-release prop heads. Also, the standard panels are allowed to transfer by small handcart on site which is convenient for site construction.

所有的组件都很轻，可人工进行组装和拆卸，无需重型吊装设备。1.2m X 1.8m 36.77kg的轻质铝模模板仅需两名工人，由下而上转动面板并将其锁定在快拆支撑头上，就可以轻松安全地架设。另外，标准板允许在现场用小手推车传送，这对现场施工很方便。



#### Easy & Compatible 方便和兼容

GETO Quick-deck Formwork System are allowed and easy to compatible with other aluminium formwork system, timber formwork system and precast concrete components. As quick-deck formwork panels are standard sizes and not specifically designed for one project, they are able to be re-used repeatedly on new projects without additional design costs.

志特快速式顶板系统能够并易于与铝模系统、木模系统和预制混凝土构件(PC)兼容。由于快拆模板是标准尺寸，不是专门为一个项目设计的，因此能够在新项目中重复使用，而不需要增加设计成本。



#### Quick-release Prop Head 快拆支撑头

The special prop heads and props can be separated. And the props can be used in traditional aluminium formwork system. The specially designed quick release prop head allows the panels to drop from the formed surface without disturbing the prop. The newly developed 2-stage lowering function of the quick release prop head prevents panels from accidentally falling during dismantling and speeds up the formwork dismantling process.

特殊的支撑头和支撑可以分离，而且支撑可以在传统的铝模板系统中使用。特别设计的快拆支撑头允许模板从成型的混凝土表面拆下而不影响支撑。新开发的快拆支撑头的2级下降功能可以防止模板在拆除过程中意外掉落，加快模板拆除过程。



#### High Quality 成型质量好

The concrete surface by aluminium panel will be better than other formwork.

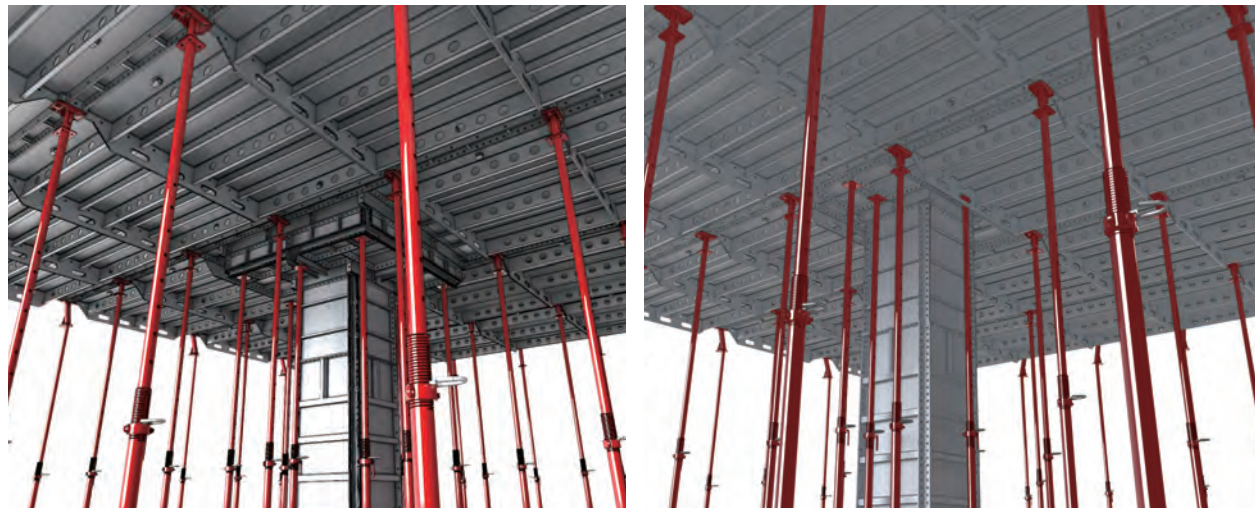
使用铝模板浇筑的混凝土表面效果比使用其他模板的更好。

## Special Application

特殊应用

### The Combination with the Existing Aluminium Formwork System

快拆系统和铝模系统的结合应用



The cast-in-situ wall and column formwork systems are the existing aluminium formwork system, which is connected with the deck panels through the slab corner joint, thus realizing the connection between the deck, wall and column formworks.

The existing deck panel system is also catered for the construction of small areas. By presetting formwork connecting holes at the panel edges of the quick-deck system, great combination of existing deck formwork with the quick-deck system can be realized.

Position of the edge holes connecting different formwork systems are 39.5mm below the formwork surface.

现浇墙柱模板采用现有的铝模体系，与顶板间通过C槽模板进行连接，从而实现顶板与墙柱模板之间的连接。

小区域顶板采用现有的顶板系统，通过预设模板连接孔于快速式顶板模板的封边上，实现现有顶板系统与快速式顶板系统之间的良好结合。

连接不同模板系统的封边孔位于各类模板表面往下39.5mm。

### The Combination of Quick-Deck System with Timber Formwork

快拆系统和木模板的结合应用

The combination of the quick-deck system and timber formwork is performed, in case of all panels of the quick-deck system are in standard size, while the partial shapes of the construction area change greatly. This can improve the utilization rate of the quick-deck standard panels in the project, minimizing any additional costs incurred by the inclusion of special-shaped formwork, while contributing to the convenience for the construction party.

由于快速式顶板系统的使用区域的局部形状可能会有较大的变化，而快速式顶板模板系统均为标准板，这就要求在局部部位采用铝木结合系统。快速式顶板模板系统与木模体系的结合应用，能提高项目标准板的使用率，减少因异形板而增加的费用，同时为施工方提供便利。



### The Combination with PC Components

快拆系统和PC构件的结合应用

Through the application of special edge prop head, the quick-deck system can achieve good combination with precast concrete components, and improve the scope of the formwork application.

通过特殊边缘支撑头的应用，快速式顶板模板系统可以与预制构件实现良好的结合，提高模板的使用范围。



# Main Components

## 主要构件

### Formwork System

#### 模板系统

			
Quick Deck Deck Panel 1.200mm x 1.800mm 快拆顶板1.200mm x 1.800mm	Quick Deck Filling Joist 100mm x 1.100mm 快拆填充龙骨100mm x 1.100mm	Quick Deck Plugging Aluminium Angle 50mm x 100mm 快拆封堵角铝50mm x 100mm	
Weight 重量	36.77kg	3.74kg	0.17kg
Material 材质	6061-T6		
Advantage 优势	GETO Quick-Deck system formwork can withstand construction loads up to 250mm thickness without the need for the temporary prop. 在无需临时支撑作用下, 我司的快速式顶板系统模板能承受最大250mm板厚施工荷载作用。		

### Support System

#### 支撑系统

					
Quick-deck Prop Head QD-PH-306 快拆支撑头QD-PH-306	Quick-deck Slab End Prop Head QD-SEPH-416 边缘支撑QD-SEPH-416	Quick-deck Slab End Prop Head QD-SEPH-408 边缘支撑QD-SEPH-408	Quick-deck Wall End Prop Head QD-WEPH-396 墙侧支撑QD-WEPH-396	Quick-deck Wall End Prop Head QD-WEPH-390 墙侧支撑QD-WEPH-390	
Weight 重量	5.73kg	2.9kg	2.2kg	4.0kg	3.0kg

#### Usage Requirements

##### 用途要求

It is the main steel support installed in the interior area of quick-deck panels.  
用于快速式顶板系统区域的内部

It is used to support the outer edge of the quick-deck system, and the area around the columns and beams.  
用于快速式顶板系统外部边缘的支撑, 也可用于柱子和横梁周围的区域

## Quick-Deck Prop Head QD-PH-306

### 快拆支撑头QD-PH-306

The quick-deck prop head is used in the middle part of the quick-deck system, which comprises of prop tray, prop bracket and stop plate.

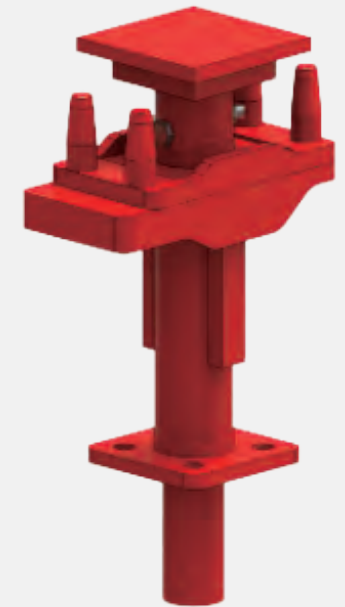
When installing the formwork, the stop plate is tightened. Next, the stop plate is directly set into the stop pad welded on the round tube of the prop tray, where the stop plate supports the prop bracket. Meanwhile, the prop bracket supports the edge of the quick-deck formwork system, as to realize the tightened state of the formwork installation.

During the dismantlement process of the formwork, knock the stop plate in the reversed side, moving it down the groove. The stop plate and prop bracket are moved down at the same time with the prop tray remained static. This is how the quick-release feature of the quick-deck system is realized.

快拆支撑头用于快速式顶板系统的中间部位, 由支撑托盘、支撑托架及限位片组成。

安装模板时, 将限位片打紧。接着, 限位片会直接坐落到焊接在支撑托盘圆管上的限位垫块上, 并支撑住支撑托架, 而支撑托架直接支撑住模板封边, 从而实现模板安装的紧固性。

模板拆卸时, 将限位片敲打至另一边, 通过限位片上的卡槽往下移动, 在保持支撑托盘不动的情况下, 将限位片、支撑托架依次往下移动, 从而实现模板的早拆性能。



			
Prop Tray QD-PT 支撑托盘QD-PT	Prop Inner Tube QD-PIT 支撑内管QD-PIT	Prop Bracket QD-PB 支撑托架QD-PB	Stop Plate QD-SP 限位片QD-SP

#### Production Mode 生产方式

Assembly by Welding 焊接拼装	Integrally Cast 整体铸造	Integrally Cast 整体铸造	Integrally Cast 整体铸造
-----------------------------	-------------------------	-------------------------	-------------------------

#### Material 材质

Q235 Steel Q235钢材	Q345 Steel Q345钢材	Q345 Steel Q345钢材	Q345 Steel Q345钢材
----------------------	----------------------	----------------------	----------------------

## Quick-Deck Wall End Prop Head

### 墙侧支撑

The quick-deck wall end prop head is used in the area connecting the deck panel and the wall structure. To solve the position conflict between the prop and the wall structure, 30cm part of the prop head is made into an oblique shape, with a reinforcing steel panel welded behind it.

墙侧支撑用于顶板与墙相接的顶板区域,为了解决支撑与墙身的位置冲突,将支撑顶部30cm做成斜状,并在其后加焊加强钢板。

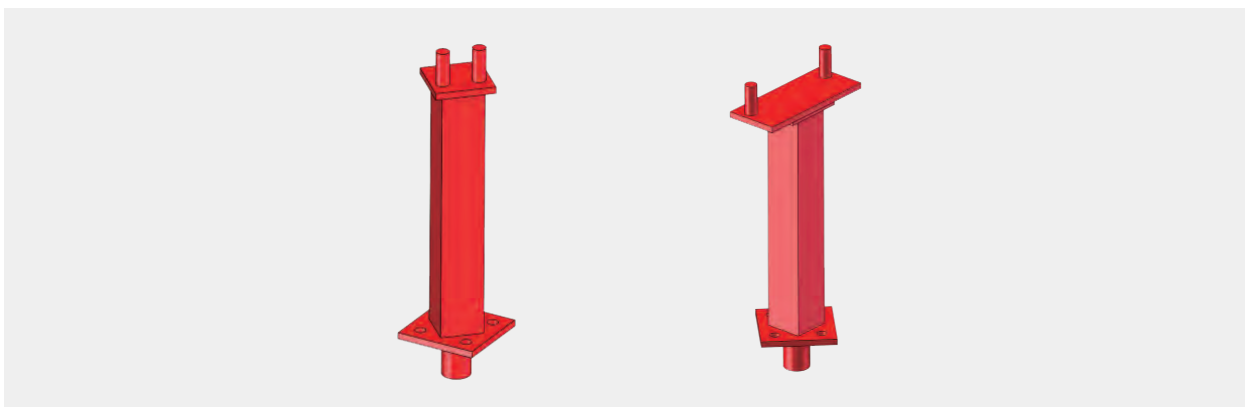


## Quick-Deck Slab End Prop Head

### 边缘支撑

Formwork edge prop heads are used in the edge parts of the quick-deck panels or the panels' combining parts with the other formwork system.

模板边缘支撑头用于快速式顶板边缘区域,或者与其他系统模板结合处。



## Prop System

### 支撑系统

The quick-deck system uses the steel prop system, combined with the newly developed prop head for support and reinforcement. A tripod is used to temporarily facilitate the erection of the prop. After the prop is fully erected, the tripod can be removed.

快速式顶板系统采用钢支撑系统,结合新开发的支撑头进行支撑加固。三角架作为临时辅助支撑竖立起来的工具。待支撑竖立完成后,三角架即可撤除。

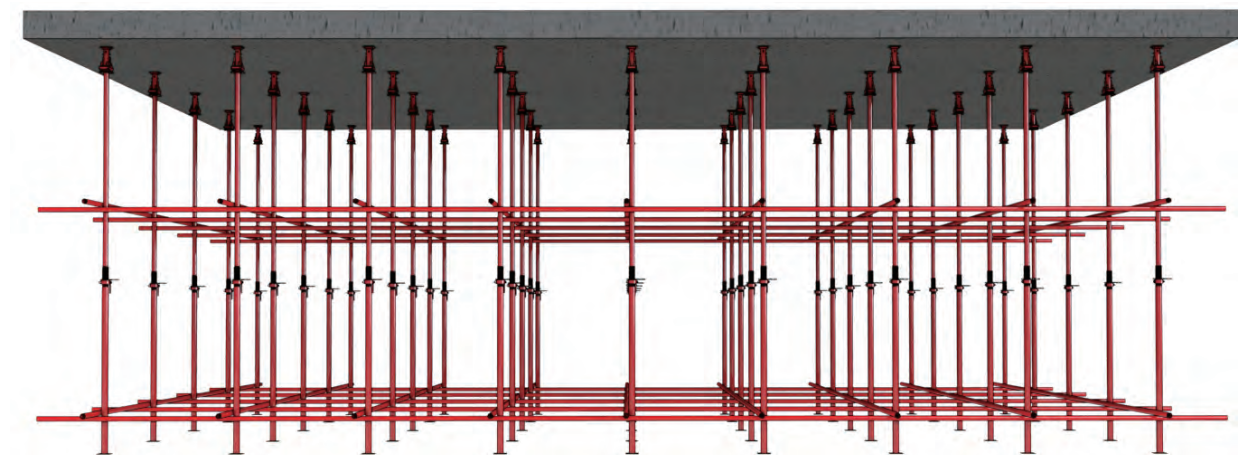


The outer diameter of the steel prop inner tube is 48mm, with 3.5mm for the wall thickness and Q355 for the material type. The outer diameter of the outer tube is 60mm, with 3.5mm for the wall thickness, and Q235 for the material type.

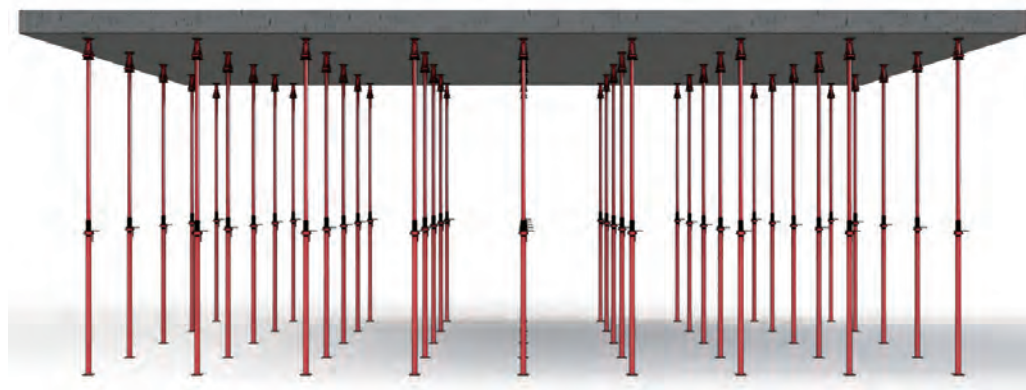
钢支撑内管外径为48mm,壁厚3.5mm,材质Q355;外管外径为60mm,壁厚3.5mm,材质Q235

\*Requirements: In line with Q235/Q355 steel material international standards.

\*要求:符合国标Q235/Q355钢材材质标准



Horizontal rods are set  
需设置水平拉杆时



Horizontal rods are not set  
无需设置水平拉杆时

### Caution 注意事项

When the prop is erected, the tripod is used to temporarily assist the construction. The tripod can be removed after the erection. Everyone must check carefully before using the formwork to make sure the props are properly attached to the tripod.

在竖立支撑时,使用三角架临时辅助施工,待支撑竖立完成后,可以撤除三角架。任何人使用模板前必须细心检查,确保支撑已经正确地固定在三脚架上。

## Operational Flow

### 施工流程

#### Installation Sequence

##### 安装顺序

Based on the shape and size of the room, the workers can choose to install the quick-deck system by sequence from onese side or multiple sides, until the whole system installation is complete. The remaining space that could not be covered by the large-area deck formwork will be occupied by using timber formwork or plastic formwork.

根据房间的形状和大小,施工方可以选择从单边或多边开始依序安装快拆顶板系统,直至整套标准顶板模板系统安装完毕。大面积系统无法填补的剩余空间将采用铝木结合或者铝塑结合模式进行封堵。

### Caution 注意事项

Before installation, ensure that each component of the quick-deck prop head is installed correctly, and the prop head is firmly connected to the prop. Ensure the safety of installation and prevent scarring.

安装前,确保快拆支撑头的各个组件安装正确,快拆支撑头与单支撑的螺丝连接牢靠。确保在安装时的安全性,小心砸伤。

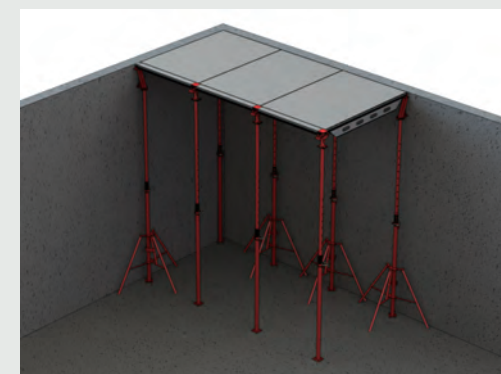
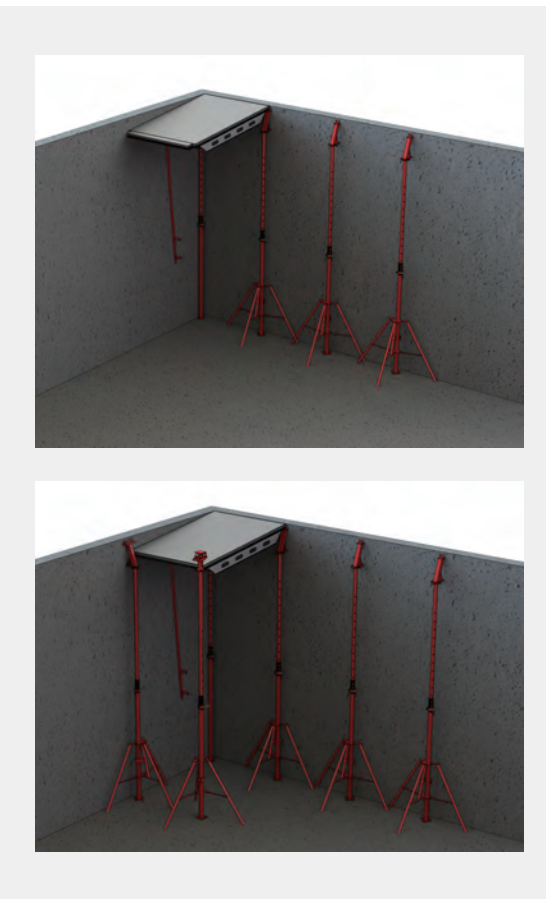
## 01

### Install the first row of adjustable props and the first deck formwork

#### 安装第一排支撑和第一块顶板模板

Connect 0.1m\*1.1m filling panel and 1.2m\*1.8m standard panel with bolts or pins in advance. Erect the adjustable prop in accordance with the position and elevation marked in the construction drawing. The quick-deck standard panel should be installed on top of the prop head connecting the adjustable prop. Use a panel puller to lift the other side of the deck panel. Consequently, erect the rest of the adjustable props to fix the installation of the first panel.

提前将0.1m\*1.1m填充面板和1.2m\*1.8m标准模板用螺栓或者销钉连接好。按照图纸设计位置及标高竖立单支撑,将模板一端安装在支撑头上。使用拆卸器抬起面板的另一端,竖起其余单支撑,安装好第一块顶板模板。



## 02

### Set up the first row of deck panel

#### 竖立第一排顶板模板

Repeat Step 1 until the first row of deck panels is fully erected.

Install pins into the gap between the two panels to ensure the stability of the formwork system, while tightening the prop head.

重复第1步,直到第一排快速式顶板模板竖立完成。

两块模板之间安装销钉以确保顶板的稳定性,同时敲紧支撑头

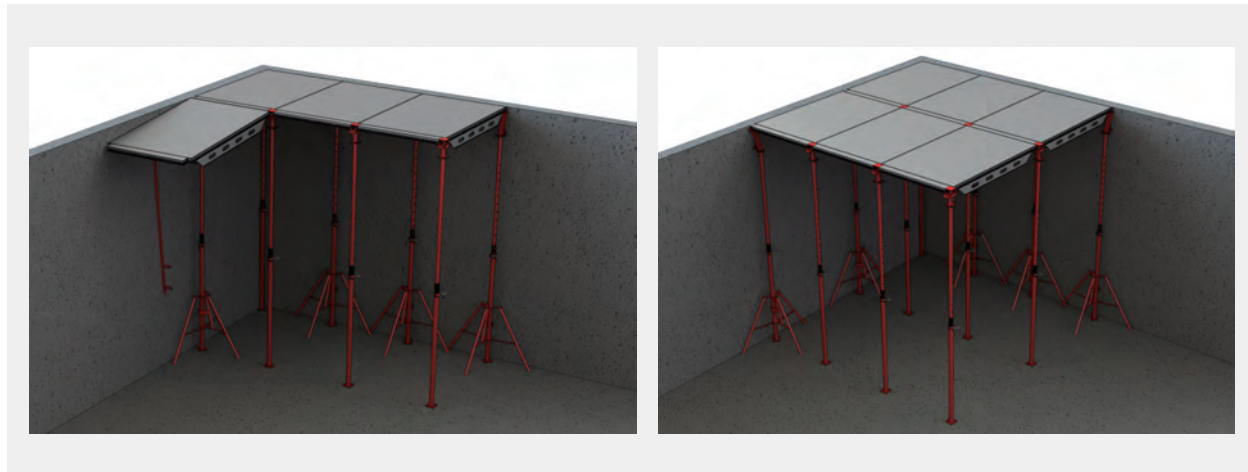
# 03

## Repeat Step 1 and Step 2

重复第1步、第2步

Repeat steps 1 and 2 until all panel installations are installed. Next, fill the remaining areas unoccupied by the large-area formwork with timber formwork.

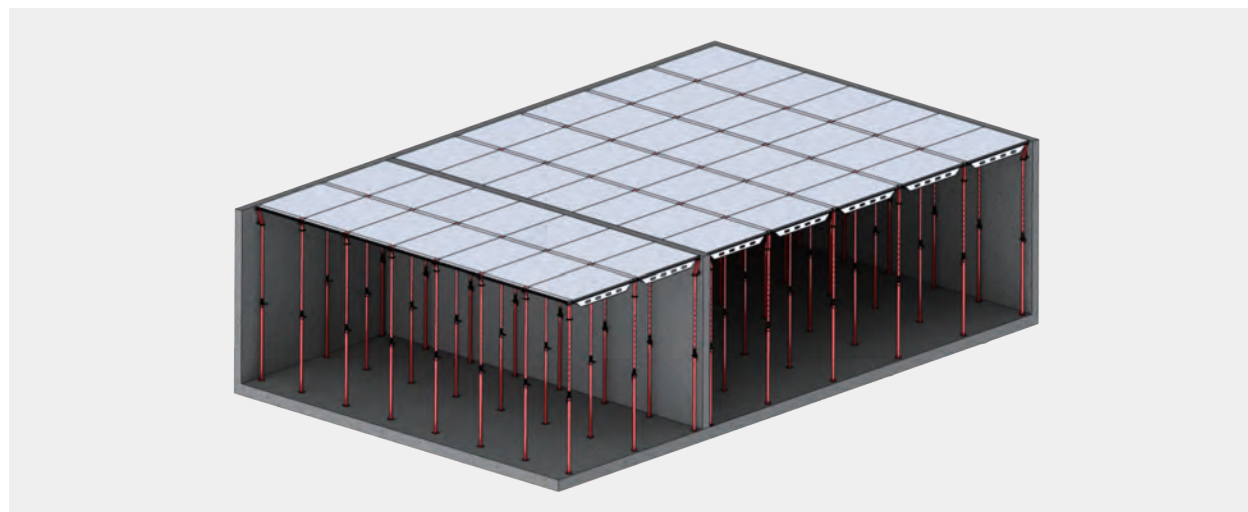
重复第1步、第2步直到所有标准模板都已安装完成,然后用木模板将剩余标准模板无法安装区域填满。



# 04

## Repeat Steps 1, 2 and 3 until all areas have the designated formwork installed

重复第1、2、3步,直到把所有区域都安装完毕



## Disassembly Sequence

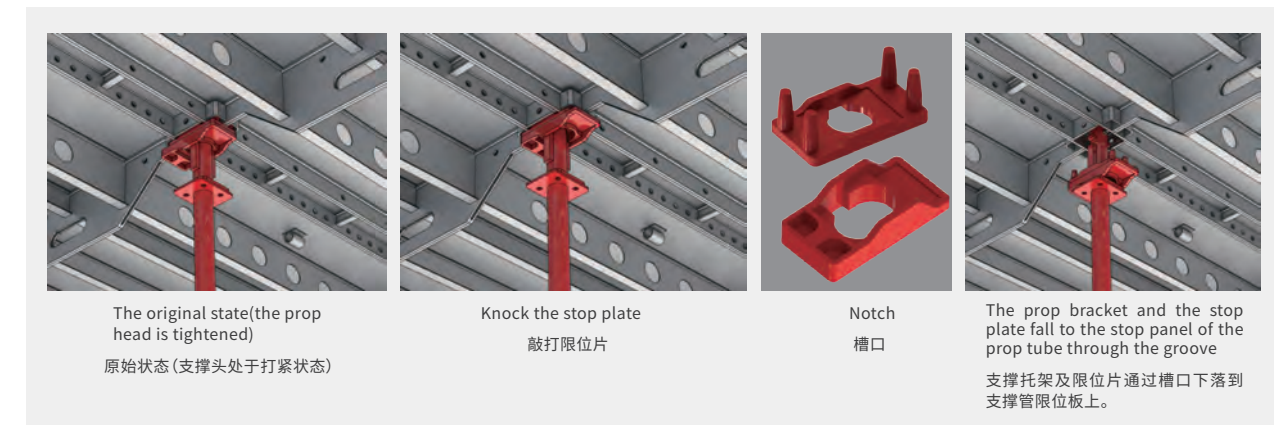
拆卸顺序

# 01

## Release prop bracket and stop plate

释放支撑托架和限位片

用锤子敲击限位片侧面,让支撑托架和限位片落到支撑内管限位板上。



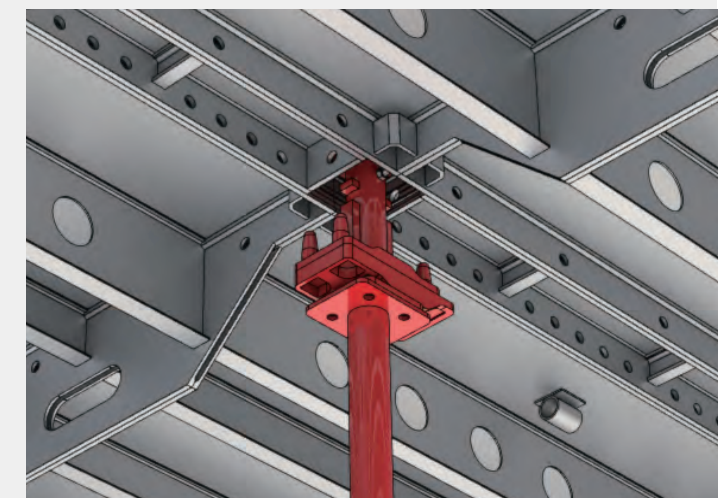
# 02

## Rotate the Prop Bracket and Stop Plate

旋转支撑托架和限位片

The prop bracket and the stop plate are rotated by 90 degrees, which makes the panel and the joist of the quick-deck system easy to drop and dismantle.

将支撑托架和限位片旋转90°,使得快速式顶板系统的面板和龙骨在该处易于下降,便于拆卸。





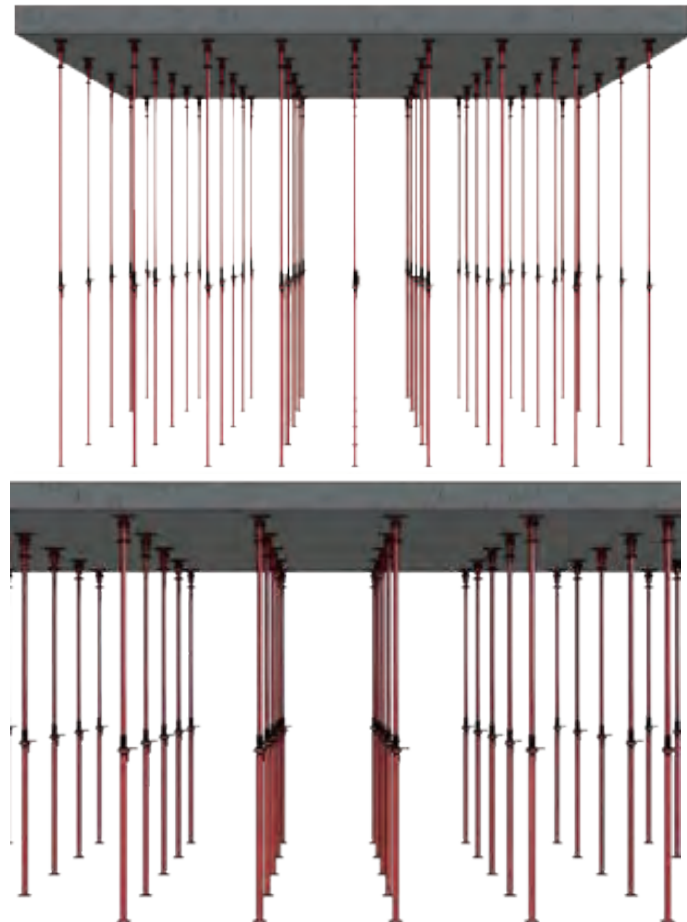
# 03

## Remove the Deck Formwork

### 拆卸顶板模板

After the prop head is in place, take down the formwork slowly.

待支撑头落到位之后, 缓缓取下模板。



# 04

## Repeat steps 1, 2 and 3

重复第1、2、3步, 直到把所有区域都安装完毕

When all the panels are removed, the prop and prop head remain in place for reverse support, so as to achieve the quick release performance of the quick-deck formwork system.

当所有面板都被拆除后, 支撑和支撑头仍留在原地以用作反向支撑, 从而实现快速式顶板模板系统的早拆性能。

## Other Requirements

### 其他要求

#### Packaging Procedure

##### 打包程序

Place the formwork on a wooden pallet accordingly, and pack them with wrapping stretch films and packaging belts.

将模板依次于叠放木托盘上, 缠上缠绕膜, 锁紧打包带。



#### On-Site Formwork Transfer by Trolley

##### 运用手推车进行模板现场运输

Each trolley can carry four deck formworks concurrently. Only one person is needed for the mobility of the trolley.

每台小车可同时运输4块顶板模板。每台车只需要一个人推就可以推动。



#### Caution 注意事项

Transport, installation, disassembly formwork should be handled gently, do not fall heavily, otherwise easy to lead to irreversible deformation;

Do not drop sharp objects on the board. Otherwise, the board may be dented or punctured.

运输、安装、拆卸模板时应轻拿轻放, 切勿重摔, 否则容易产生不可逆的变形; 禁止在板面上掉落尖锐的物体, 不然板面会有凹陷或刺破的风险。

# Project Cases

工程案例



M-Arisa, Malaysia



J Satine, Malaysia



BHP, Malaysia



Astrum Ampang, Malaysia



Application area: podium

Forming effect: the flatness of concrete surface <math><4\text{mm}</math>, the passing rate reaches 100% (local construction code: flatness  $\leq 6\text{mm}</math>).$

应用范围: 裙楼

使用效果: 模板浇筑效果平整度<math><4\text{mm}</math>, 合格率达到100%(当地建筑规范: 平整度 $\leq 6\text{mm}</math>)$